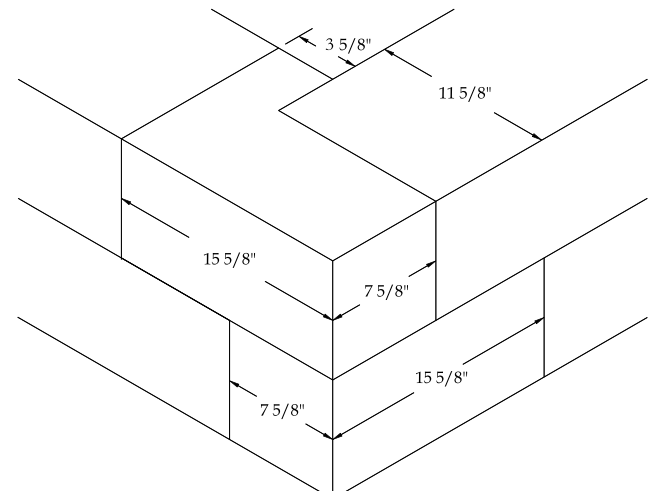
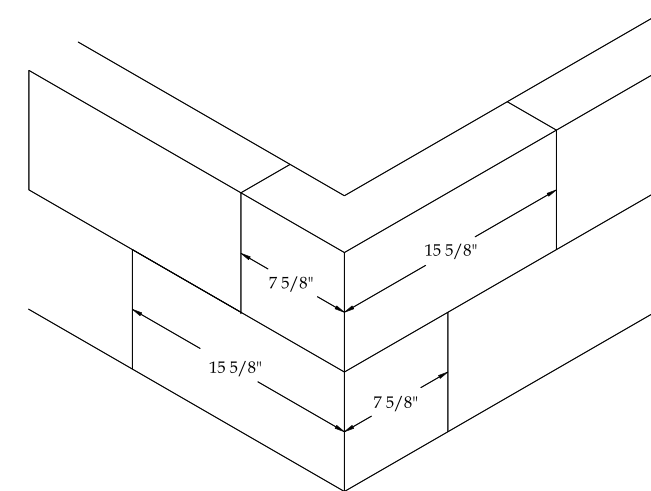
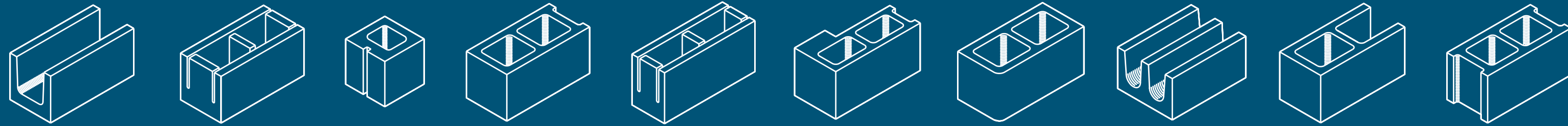


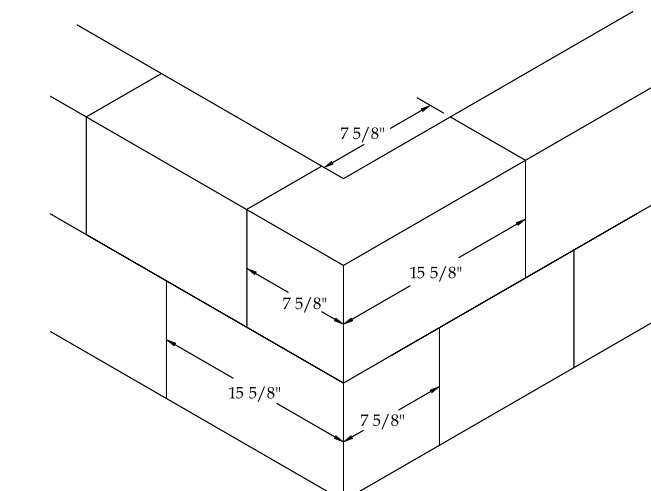
10" L-CORNER DETAIL



12" L-CORNER DETAIL



4" L-CORNER DETAIL



6" L-CORNER DETAIL



Genest has been manufacturing concrete products in southern Maine since the 1930's. We use Maine materials and Maine Labor to make products that meet or exceed the highest industry standards. We are proud to manufacture our products in Maine and we think you'll be proud to have them in your next project.



36 Wilson Street,
Sanford, Maine 04073
www.GenestConcrete.com

(207) 324-3250
1-800-649-4773

Block Shapes & Sizes



Block Specifications

- ASTM C-90 Specification for Load bearing Concrete Masonry Units
- ASTM C-33 Specification for Concrete Aggregates
- ASTM C-331 Aggregate for Lightweight Concrete Masonry Units

4 Inch Block Shapes

1 Stretcher 3 5/8" x 7 5/8" x 15 5/8"	2 Half High 3 5/8" x 3 5/8" x 15 5/8"	3 Half 3 5/8" x 7 5/8" x 7 5/8"
4 Half High Half 3 5/8" x 3 5/8" x 7 5/8"	5 L-Corner 3 5/8" x 7 5/8" x 15 5/8"	6 Half High L-Corner 3 5/8" x 3 5/8" x 15 5/8"
7 Starter 3 5/8" x 4 5/8" x 15 5/8"	8 Single Bullnose 3 5/8" x 7 5/8" x 15 5/8"	9 Double Bullnose Face 3 5/8" x 7 5/8" x 15 5/8"
10 Single Bullnose L-Corner 3 5/8" x 7 5/8" x 7 5/8"	11 Single Bullnose Half 3 5/8" x 7 5/8" x 15 5/8"	12 Double Bullnose 3 5/8" x 7 5/8" x 15 5/8"
13 Double Bullnose Half 3 5/8" x 7 5/8" x 7 5/8"		

6 Inch Block Shapes

1 Stretcher 5 5/8" x 7 5/8" x 15 5/8"	2 Half High 5 5/8" x 3 5/8" x 15 5/8"	3 Pier Combo 5 5/8" x 7 5/8" x 15 5/8"	4 L-Corner 5 5/8" x 7 5/8" x 15 5/8"
5 Half High Pier Combo 5 5/8" x 3 5/8" x 15 5/8"	6 Half High Combo 5 5/8" x 3 5/8" x 15 5/8"	7 Half High Full Sash 5 5/8" x 3 5/8" x 15 5/8"	8 Combo 5 5/8" x 7 5/8" x 15 5/8"
9 Bond Beam Knock Out 5 5/8" x 7 5/8" x 15 5/8"	10 Half 5 5/8" x 7 5/8" x 7 5/8"	11 A-Block 5 5/8" x 7 5/8" x 15 5/8"	12 Bond Beam Solid 5 5/8" x 7 5/8" x 15 5/8"
13 Starter 5 5/8" x 4 5/8" x 15 5/8"	14 Single Bullnose 5 5/8" x 7 5/8" x 15 5/8"	15 Single Bullnose Half 5 5/8" x 7 5/8" x 7 5/8"	16 Double Bullnose 5 5/8" x 7 5/8" x 15 5/8"
17 Double Bullnose Half 5 5/8" x 7 5/8" x 7 5/8"	18 Double Bullnose on Face 5 5/8" x 7 5/8" x 15 5/8"	19 Stretcher 5 5/8" x 7 5/8" x 15 5/8"	20 Solid 5 5/8" x 7 5/8" x 15 5/8"

8 Inch Block Shapes

1 Stretcher 7 5/8" x 7 5/8" x 15 5/8"	2 Half High 7 5/8" x 3 5/8" x 15 5/8"	3 Corner 7 5/8" x 7 5/8" x 15 5/8"	4 Half High Corner 7 5/8" x 3 5/8" x 15 5/8"	5 Pier 7 5/8" x 7 5/8" x 15 5/8"
6 Half High Pier 7 5/8" x 3 5/8" x 15 5/8"	7 Pier Combo 7 5/8" x 7 5/8" x 15 5/8"	8 Half High Combo 7 5/8" x 3 5/8" x 15 5/8"	9 Full Sash 7 5/8" x 7 5/8" x 15 5/8"	10 Half High Full Sash 7 5/8" x 3 5/8" x 15 5/8"
11 Combo 7 5/8" x 7 5/8" x 15 5/8"	12 Half High Combo 7 5/8" x 3 5/8" x 15 5/8"	13 A-Block 7 5/8" x 7 5/8" x 15 5/8"	14 Half 7 5/8" x 7 5/8" x 7 5/8"	15 Bond Beam K.O. 7 5/8" x 7 5/8" x 15 5/8"
16 Bond Beam Solid 7 5/8" x 7 5/8" x 15 5/8"	17 Beam Lintel 7 5/8" x 15 5/8" x 7 5/8"	18 Starter 7 5/8" x 4 5/8" x 15 5/8"	19 Splay Block 7 5/8" x 7 5/8" x 7 5/8"	20 Single Bullnose 7 5/8" x 7 5/8" x 15 5/8"
21 Single Bullnose Half 7 5/8" x 7 5/8" x 7 5/8"	22 Double Bullnose Face 7 5/8" x 7 5/8" x 15 5/8"	23 Double Bullnose Half 7 5/8" x 7 5/8" x 7 5/8"	24 Double Bullnose 7 5/8" x 7 5/8" x 15 5/8"	25 Grout Block 7 5/8" x 7 5/8" x 15 5/8"
26 45 Degree Outside Corner 7 5/8" x 7 5/8" x 7 5/8"				

10 Inch Block Shapes

1 Stretcher 9 5/8" x 7 5/8" x 15 5/8"	2 Corner 9 5/8" x 7 5/8" x 15 5/8"	3 Pier 9 5/8" x 7 5/8" x 15 5/8"
4 Full Sash 9 5/8" x 7 5/8" x 15 5/8"	5 L-Corner 9 5/8" x 7 5/8" x 15 5/8"	6 Half 9 5/8" x 7 5/8" x 7 5/8"
7 A-Block 9 5/8" x 7 5/8" x 15 5/8"	8 Bond Beam Knock Out 9 5/8" x 7 5/8" x 15 5/8"	9 Bond Beam Solid 9 5/8" x 7 5/8" x 15 5/8"
10 Beam Lintel 9 5/8" x 15 5/8" x 7 5/8"	11 Single Bullnose 9 5/8" x 7 5/8" x 15 5/8"	12 Single Bullnose Half 9 5/8" x 7 5/8" x 7 5/8"
13 Double Bullnose Face 9 5/8" x 7 5/8" x 15 5/8"	14 Double Bullnose Half 9 5/8" x 7 5/8" x 7 5/8"	15 Double Bullnose 9 5/8" x 7 5/8" x 15 5/8"
16 Double Bullnose Half Face 9 5/8" x 7 5/8" x 7 5/8"		

12 Inch Block Shapes

1 Stretcher 11 5/8" x 7 5/8" x 15 5/8"	2 Corner 11 5/8" x 7 5/8" x 15 5/8"	3 Half High Corner 11 5/8" x 3 5/8" x 15 5/8"	4 Pier 11 5/8" x 7 5/8" x 15 5/8"	5 Half High Pier 11 5/8" x 3 5/8" x 15 5/8"
6 Pier Combo 11 5/8" x 7 5/8" x 15 5/8"	7 Half High Pier Combo 11 5/8" x 3 5/8" x 15 5/8"	8 L-Corner 11 5/8" x 7 5/8" x 15 5/8"	9 L-Corner 11 5/8" x 3 5/8" x 15 5/8"	10 Half High Full Sash 11 5/8" x 3 5/8" x 15 5/8"
11 Full Sash 11 5/8" x 7 5/8" x 15 5/8"	12 Half High Full Sash 11 5/8" x 3 5/8" x 15 5/8"	13 Combo 11 5/8" x 7 5/8" x 15 5/8"	14 Half High Combo 11 5/8" x 3 5/8" x 15 5/8"	15 Half 11 5/8" x 7 5/8" x 7 5/8"
16 Half High Half 11 5/8" x 3 5/8" x 7 5/8"	17 A-Block 11 5/8" x 7 5/8" x 15 5/8"	18 Bond Beam Knock Out 11 5/8" x 7 5/8" x 15 5/8"	19 Solid Bottom Bond Beam 11 5/8" x 7 5/8" x 15 5/8"	20 Beam Lintel 11 5/8" x 15 5/8" x 7 5/8"
21 Starter 11 5/8" x 4 5/8" x 15 5/8"	22 Single Bullnose 11 5/8" x 7 5/8" x 15 5/8"	23 Single Bull L-Corner 11 5/8" x 7 5/8" x 15 5/8"	24 Double Bullnose Face 11 5/8" x 7 5/8" x 15 5/8"	25 Double Bullnose 11 5/8" x 7 5/8" x 15 5/8"
26 Single Bullnose Half 7 5/8" x 7 5/8" x 11 5/8"	27 Double Bullnose Half 7 5/8" x 7 5/8" x 11 5/8"	28 Grout Block 11 5/8" x 7 5/8" x 7 5/8"		

Solid Block Shapes

1 Concrete Brick 2 1/4" x 3 5/8" x 7 5/8"	2 Soap 1 5/8" x 7 5/8" x 15 5/8"	3 Patio 2 x 7 5/8" x 15 5/8"	4 3" Solid 2 5/8" x 7 5/8" x 15 5/8"	5 4" Solid 3 5/8" x 7 5/8" x 15 5/8"	6 6" Solid 5 5/8" x 7 5/8" x 15 5/8"	7 8" Solid 7 5/8" x 7 5/8" x 15 5/8"	8 12" Solid 11 5/8" x 7 5/8" x 15 5/8"
---	--	------------------------------------	--	--	--	--	--

Chimney Block Shapes

1 Chimney Full 8" x 8"	2 Chimney Half 8" x 8"	3 Adapter 8" x 8"	4 Chimney with knock out 8" x 8"	5 Chimney Full 8" x 12"	6 Chimney with knock out 8" x 12"	7 Chimney Half 12" x 12"
------------------------------	------------------------------	-------------------------	--	-------------------------------	---	--------------------------------

*Some blocks are stocked in low volumes.
Please call for availability.

Architectural Blocks

Split Face Blocks
Also available with a single score

Split Rib Block
Available in: 4 Ribbed, 6 Ribbed, and 8 Ribbed

Shadow Stone

These architectural units are shown as 8" standard units. They are also available in most sizes shown above. Please call us for more information

Examples of Sill Blocks

Sill Block
5 5/8" x 3 5/8" x 15 5/8"
Available in 6", 8", 10", 12"

Sill Block
3 5/8" x 7 5/8" x 15 5/8"

Split Face Sill Block
7 5/8" x 7 5/8" x 7 5/8"

Sill Block
11 5/8" x 3 5/8" x 7 5/8"

Splitfaced Sill Block
11 5/8" x 3 5/8" x 7 5/8"

Split Face Sill Block
4 1/4" x 7 5/8" x 15 5/8"

Genest

36 Wilson Street,
Sanford, Maine 04073
www.GenestConcrete.com

(207) 324-3250
1-800-649-4773